

Introduction

AWUS036AX is the 802.11ax WiFi 6 USB WiFi adapter supports both 2.4 GHz and 5 GHz. It is simply plug and play to your notebook or desktop computer or projectors to connect to WiFi network for applications such as HD streams, online gaming. It is compatible with next generation WiFi devices and backward compatible with 802.11 a/b/g/n/ac devices.

Specifications

Standards

IEEE 802.11ax
IEEE 802.11ac
IEEE 802.11n
IEEE 802.11g
IEEE 802.11b
IEEE 802.11a

Wireless Security

WEP, WPA, WPA2, WPA3

Operating System

Windows 10 / 11
Linux kernel 4.19 or later

Wireless Data Rate

2.4 GHz: up to 573.5 Mbps
5 GHz: up to 1201 Mbps

©2022 ALFA NETWORK Inc. All right reserved. ALFA NETWORK are trademarks of ALFA NETWORK Inc. registered in US, Europe, and other countries. Other product and company names mentioned herein may be trademarks other respective companies.

Learn More

Visit <https://www.alfa.com.tw> for more information.



© ALFA Network Inc.

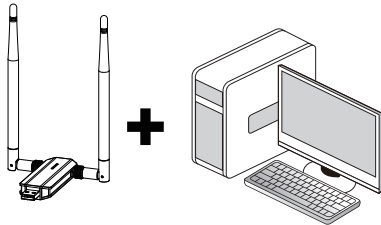
ALFA
NETWORK



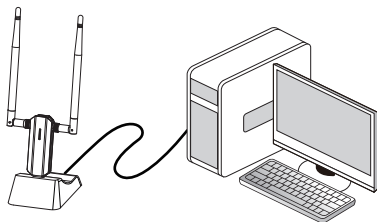
AWUS036AX Quick-Start Guide

1. Hardware installation

(1) Insert to the laptop/PC USB port



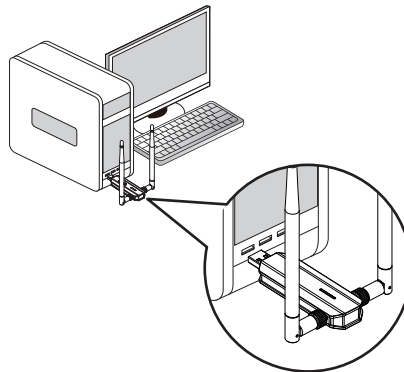
(2) Or with AUSB-C-D32 (USB extension cord base)



Note: the USB extension base needs to be purchased separately

2. Driver installation

Download the driver from <https://info.alfa.com.tw/awus036axdriver>, and connect the AWUS036AX to a USB port on your Windows 10/11 computer, unzip the downloaded driver, double-click the Setup.exe, and then follow the installation setup.



3. Network connection settings

Click the wireless network icon in the lower right corner. The computer will display the connectable wireless; click the wireless network you want to connect to and enter the password to connect.

