

2.4Ghz OMNI Antenna with Gain 8dBi for N FEMALE

APPLICATIONS AND FEATURES

Applications:

2.4GHz-2.5GHz 8dbi ISM Band
 IEEE 802.11b, 802.11g, 802.11n Wireless LAN
 Directional and multipoint applications
 Bluetooth · Wi-Fi, RFID
 Public Wireless Hotspot
 Wireless Video Systems

Features :

Superior Performance
 The Weight is light
 Good appearance designs
 Installed for vertical or horizontal polarization
 Outdoor antenna for public Hot spots
 Heavy Duty mounting
 RoHS Compliant



SPECIFICATIONS:

Electrical Specifications

Frequency Range	2400~2483 MHz
V.S.W.R	≤ 1.5:1
Return Loss	≥ -14db
Antenna Type	Collinear
Gain	8dBi
Polarization	Vertical
Maximum Power	50W
Vertical Beam-with	15°
Horizontal Beam-with	360°
Impedance	50
Connector	N-Female

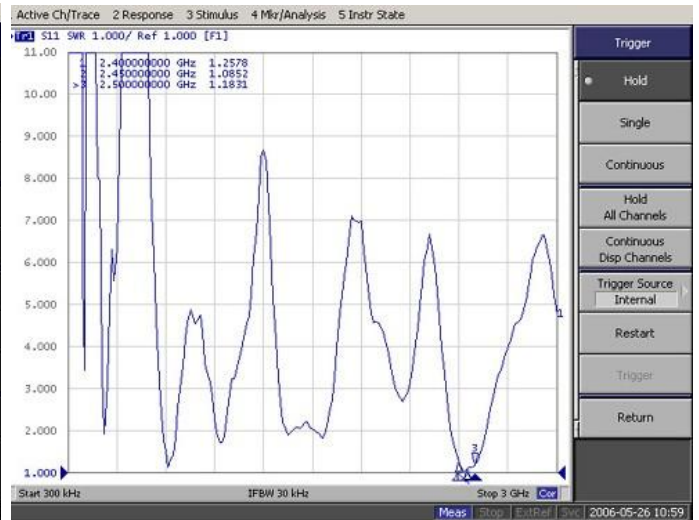
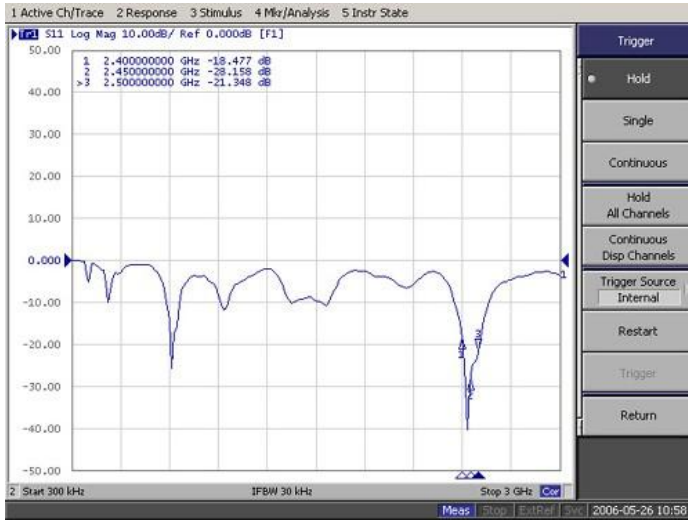
Mechanical Specifications

Length	415mm
Diameter	18.8mm
Weight	110g
Wind Survival	> 120 MPH
Radome Material	White Fiberglass
Operating Temperature	-40°C to +80°C
Clamps	Multiple options
Mounting	Multiple options
RoHS Compliant	Yes

TESTING REPORT

Return Loss

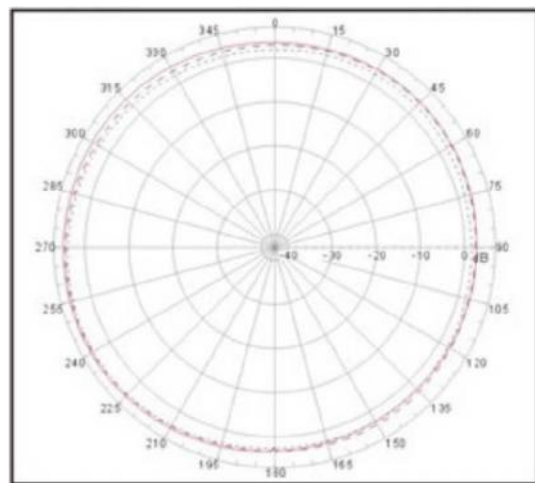
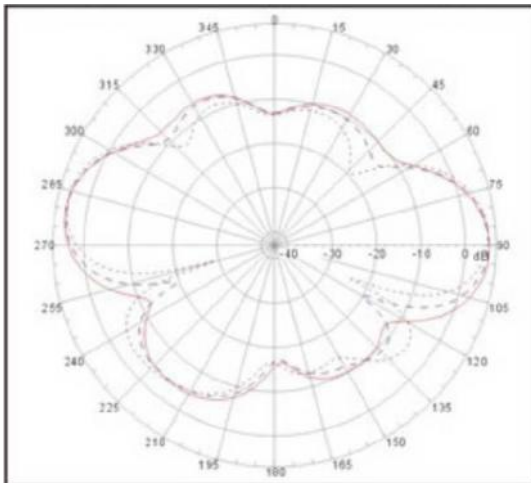
V.S.W.R



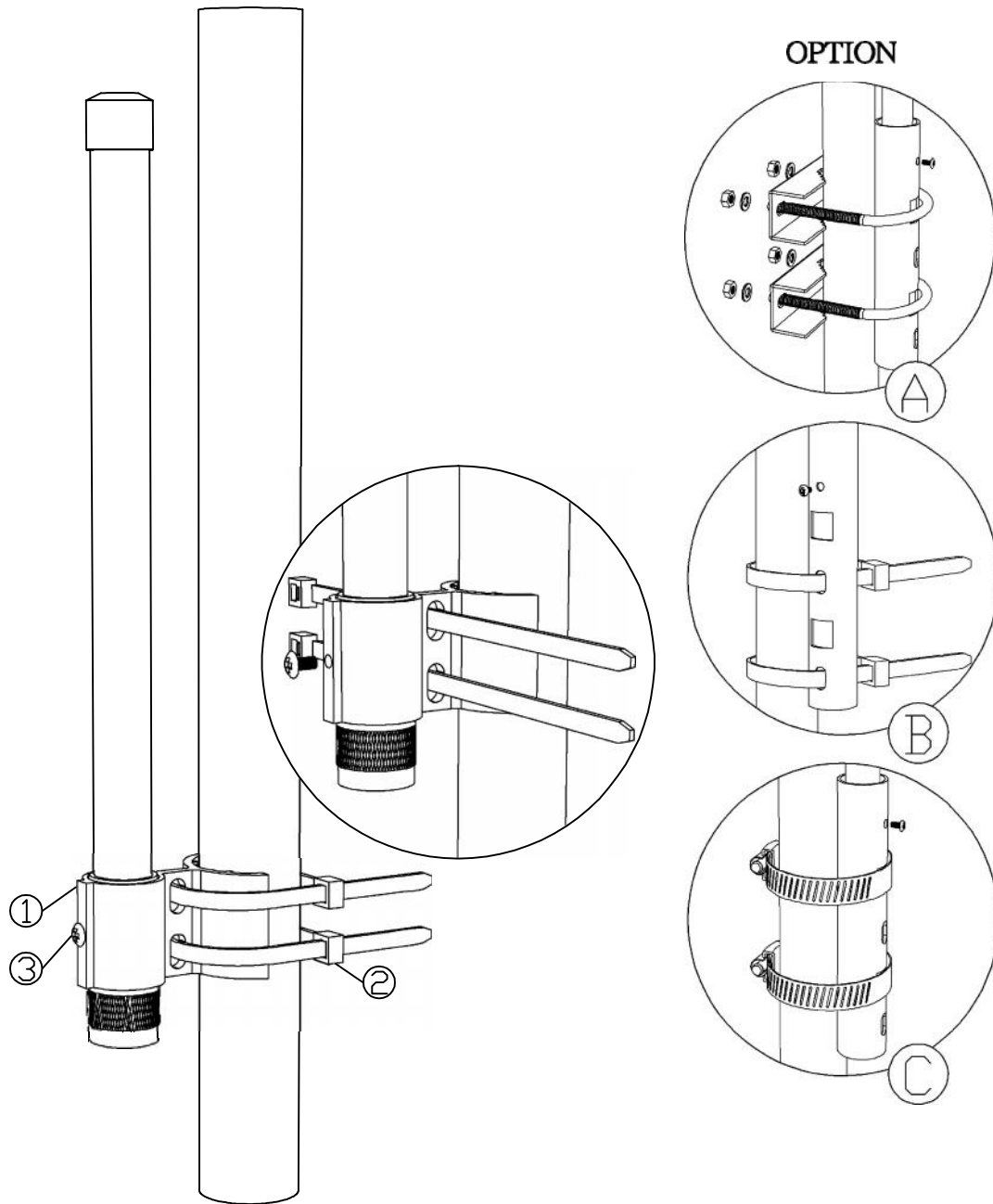
Antenna Vertical & Horizontal Pattern

Vertical

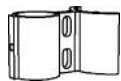
Horizontal



2.4GHz Mini OMNI Antenna



ACCESSORIES

①  * 1 PC

③  * 1 PC

②  * 2 PC